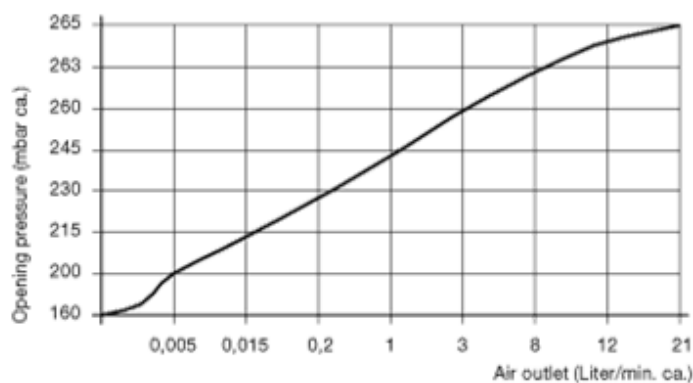
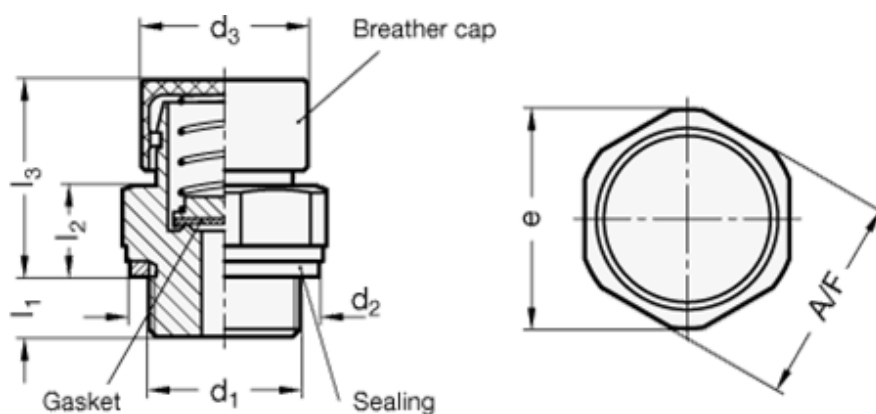


Data Sheet



Article number: 20881G12200MSM
Description: E+G
Breather valve, - G 1/2"

Measures



A/F	= 27
d2	= 26
d3	= 22
e	= 29
l1	= 8.5
l2	= 11.5
l3	= 26.5
Thread d1	= G 1/2"